



National Public Seating

DESIGN SERVICES

PRESENTATION FOR:
**CO-CATHEDRAL OF ST THOMAS MORE
CHOIR SECTION/RISERS**

DEALER: CATHOLIC PURCHASING SERVICES

3

2D DRAWING

A 2D layout of the space showing furniture locations and spacing.

Isometric views of all furniture shown in plan.

5

3D RENDERING

A 3D layout of the space showing furniture locations and spacing.

Isometric views of all furniture shown in plan.

10

PRODUCTS LIST

Detailed list of all the products and quantities incorporated into the design.

12

FINISHES

An image and description detailing the material finishes shown on the products in the 3D Rendering(s).

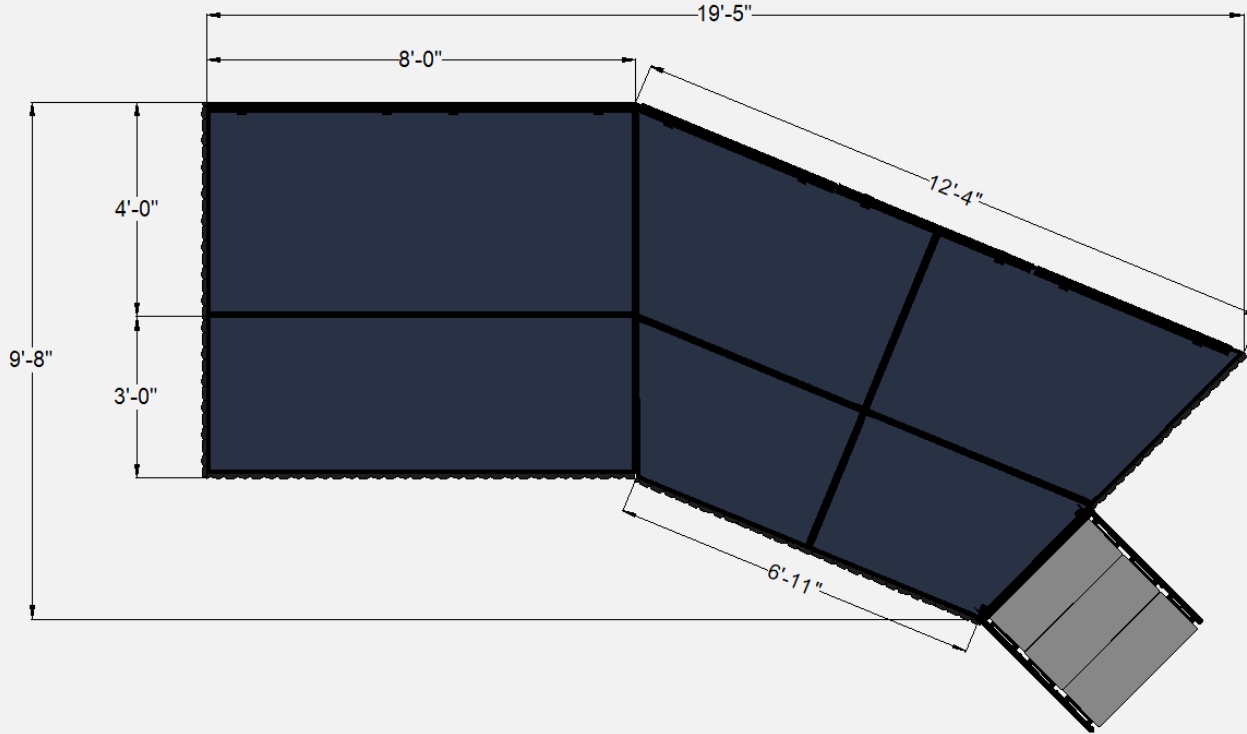
16

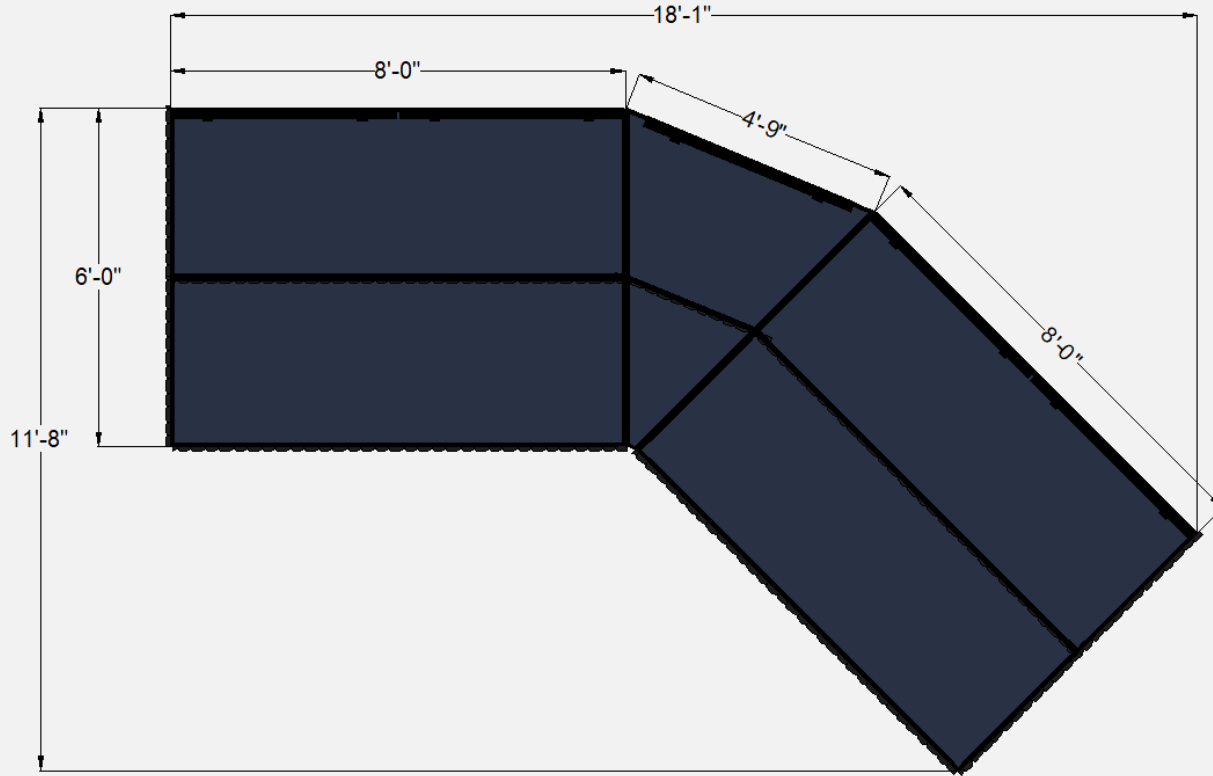
PROJECT DETAILS

Detailed history of the project noting all revisions made.

2D DRAWING

OPTION 1





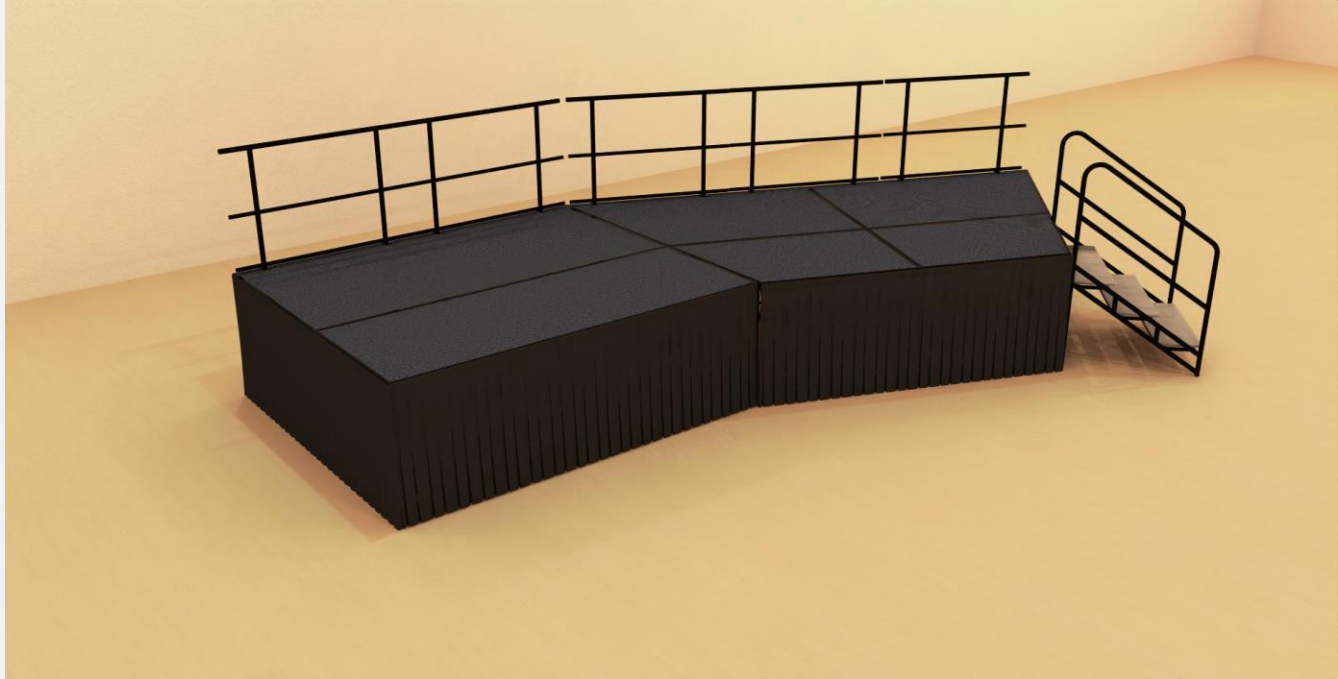
3D RENDERING

OPTION 1



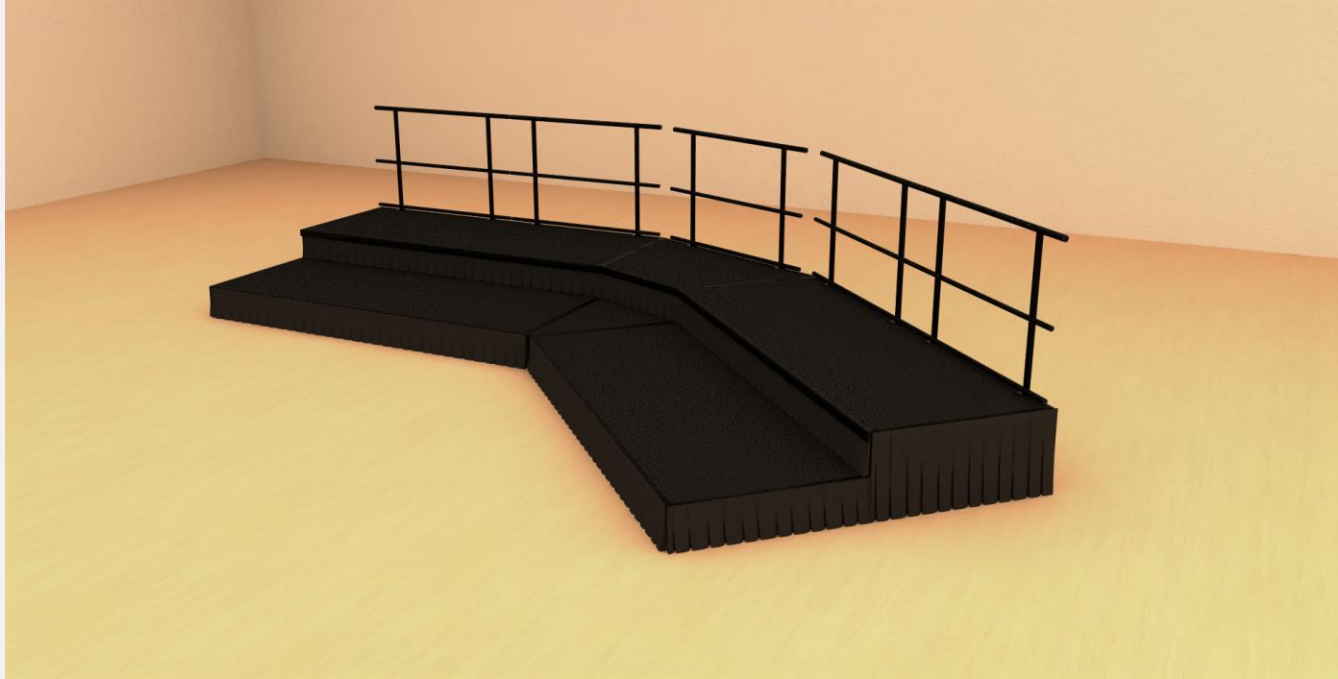
3D RENDERING

OPTION 1



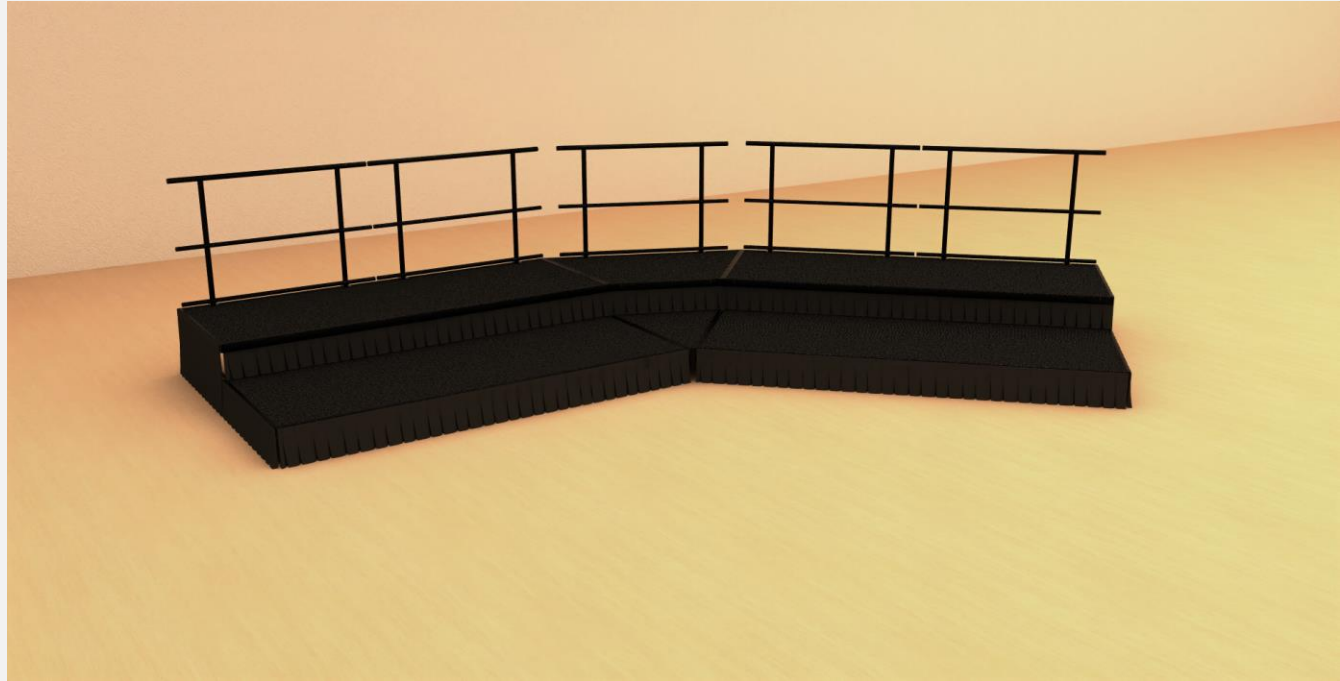
3D RENDERING

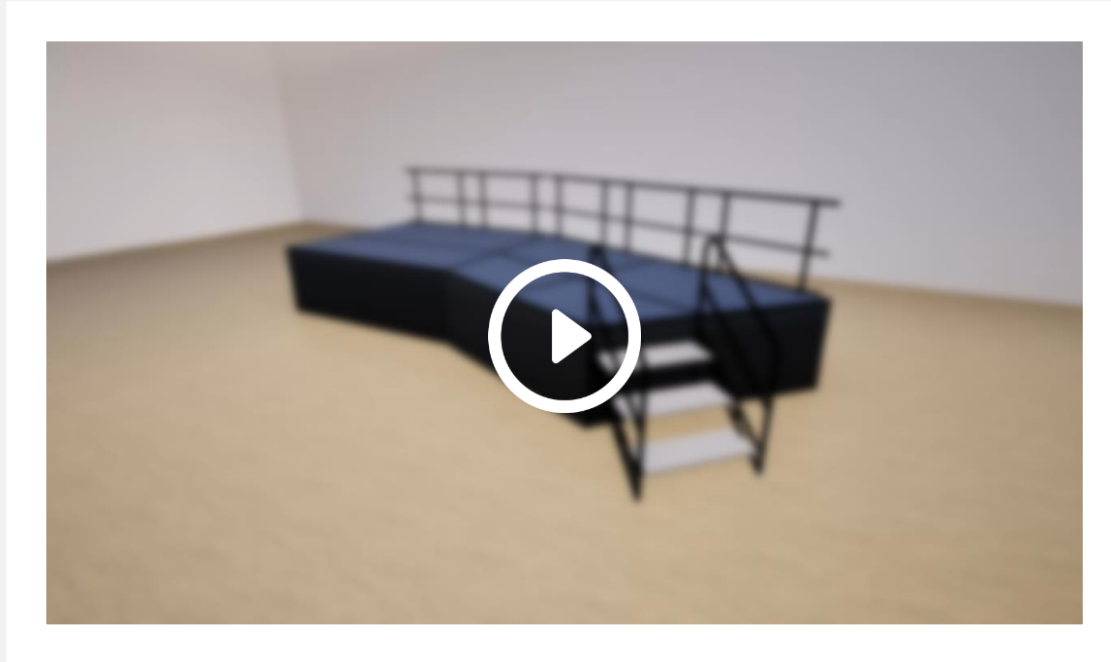
OPTION 2



3D RENDERING

OPTION 2





[Click here to watch a video of your space!](#)



PRODUCT LIST

#	PART	DESCRIPTION	QTY
1	GRS48	48 W Guardrail for Stages	5
2	S3632C-04	3' x 8' Stage, 32 Height, Blue Carpet	1
3	S4832C-04	4' x 8' Stage, 32 Height, Blue Carpet	1
4	SB32-36-10	32 Height 36 Length Stage Box Pleat Skirting, Black	3
5	SB32-48-10	32 Height 48 Length Stage Box Pleat Skirting, Black	3
6	SB32-96-10	32 Height 96 Length Stage Box Pleat Skirting, Black	1
7	SP3632C-04	Stage Pie Compatible with a 3'x 8' x 32 Stage, Blue Carpet	1
8	SP4832C-04	Stage Pie Compatible with a 4'x 8' x 32 Stage, Blue Carpet	1
9	STP32	Steps for 32 Height Stages, Three 8 Height step unit	1

PRODUCT LIST

#	PART	DESCRIPTION	QTY
1	SB16-36-10	16 Height 36 Length Stage Box Pleat Skirting, Black	2
2	SB8-36-10	8 Height 36 Length Stage Box Pleat Skirting, Black	3
3	SB8-96-10	8 Height 96 Length Stage Box Pleat Skirting, Black	4
4	SPST362LC-04	2-Level Seated Riser Pie Section, Carpet	1
5	SST362LC-04	2-Level Seated Riser Set, Carpet (3' x 8' Platforms)	2

BLUE

FLOOR



S3632C-04

3' x 8' Stage, 32 Height, Blue
Carpet



BLUE

FLOOR



SP3632C-04

Stage Pie Compatible with a 3'
8" x 32' Stage, Blue Carpet



BLUE

FLOOR



SST362LC-04

2-Level Seated Riser Set, Carpet
(3' x 8' Platforms)



BLUE

FLOOR



SPST362LC-04

2-Level Seated Riser Pie Section,
Carpet



1. Space Planning completed 07/16/2025